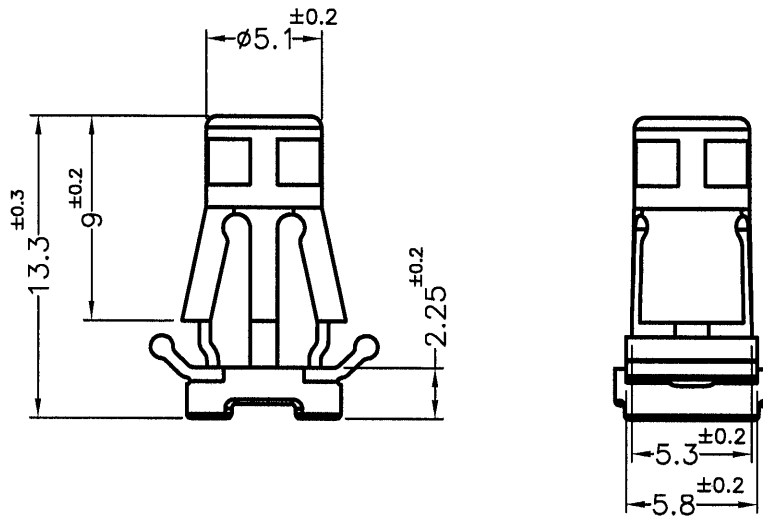


REVISIONS			
REV	DESCRIPTION	DATE	BY



HOLE IN CHASSIS $\phi 5.6$
 CHASSIS THICKNESS 0.8~1.6

NOTE:MADE OF EQUIVALENT MATERIAL.
 均可使用同等材質.



康揚企業股份有限公司
 KANG YANG HARDWARE ENTERPRISE CO., LTD.
 康揚塑膠(東莞)有限公司
 KANG YANG PLASTIC(DONG GUAN) CO., LTD.
 康哲電腦配件(吳江)有限公司
 KANG CHE COMPUTER COMPONENTS(WUJIANG) CO., LTD.

PART NUMBER RAMB-9		DRAWING NUMBER RAMB-9		TITLE SPACER SUPPORT	SPEC. DWG.
SIZE A4		SCALE 3:1		MATERIAL NYLON 66 UL94V-2	DATE 2011.11.22
UNIT mm		REV A		FINISH	DRAWN SAI
				COLOR NATURAL	CHECK
				UNLESS OTHERWISE SPECIFIED TOLERANCE SEE ABOVE	APPROVED Kang