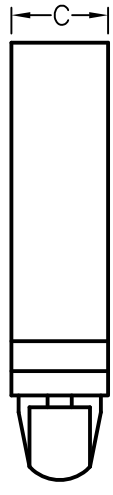
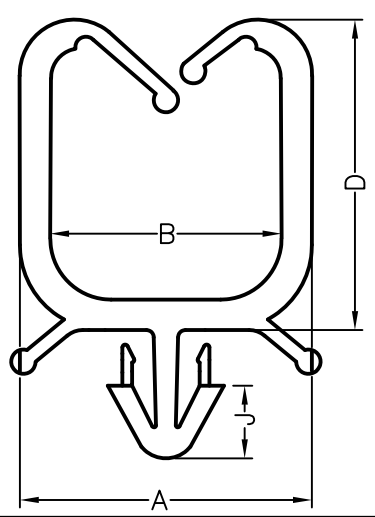


HOLE : G
THICKNESS: T



PART NO.	A	B	C	D	G	J	T
MWC-10	12.1	9.5	4	12.8	3.5	3	0.6~1.6

NOTE: A, D