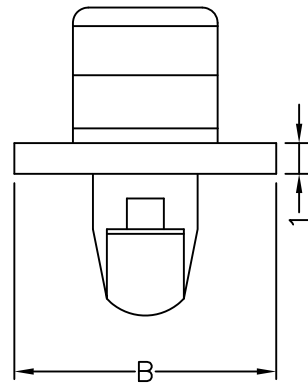
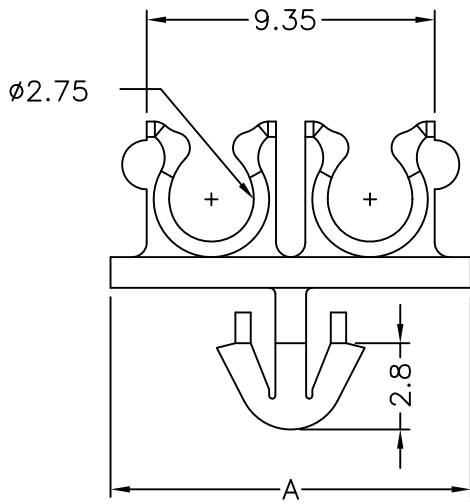


HOLE :  $\phi G$   
THICKNESS: T



PART NO.	A	B	G	T
MUT-2	11.7	8.5	3.5	1.6

NOTE:A, D