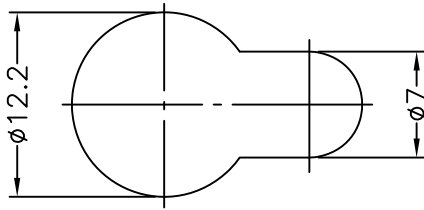
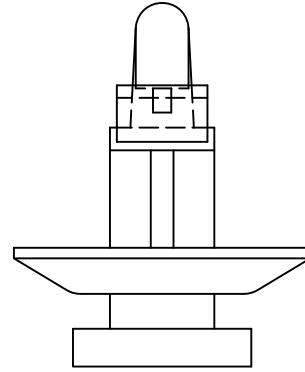
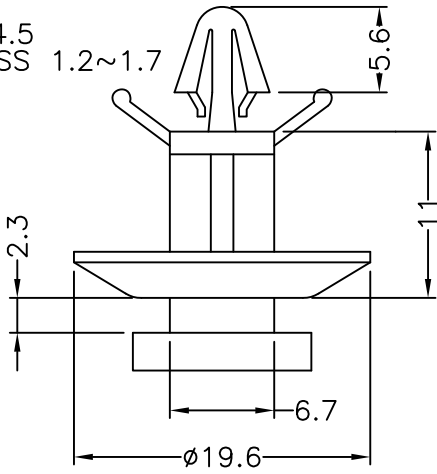


P.C.B  $\phi 4.5$   
THICKNESS 1.2~1.7



MOUNTING HOLE

PART NO.

MBC-11

NOTE:D