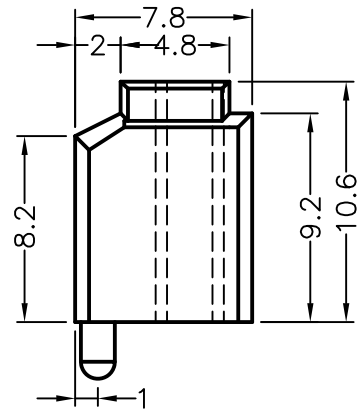


MOUNTING HOLE



舊公差