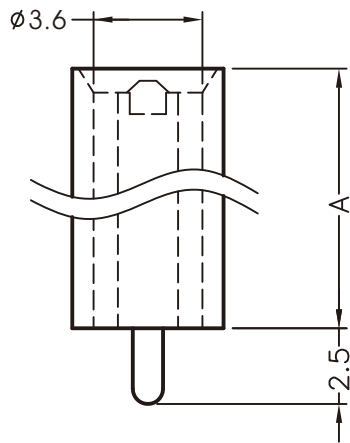


MOUNTING HOLES



PART.NO	A
LEDK-2	2.0

數值請依照目錄

舊公差