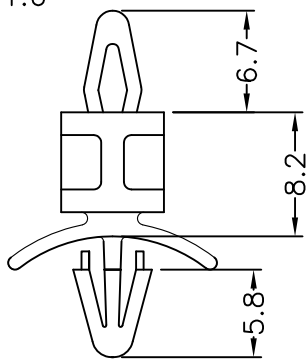
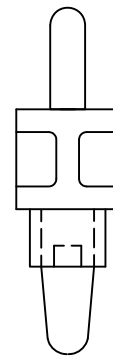


P.C.B  $\phi$ 3.5  
THICKNESS 1.6



P.C.B  $\phi$ 4.0  
THICKNESS 0.8~1.6



PART NO.
----------

LCPA-8.2
----------

NOTE:D