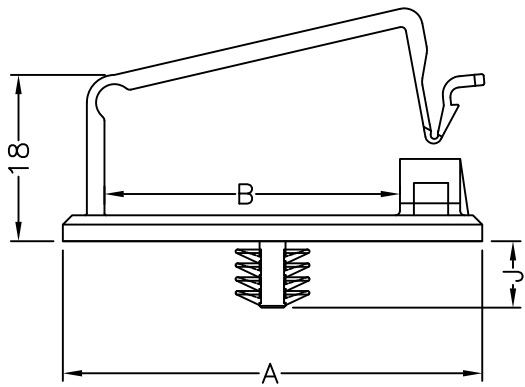


HOLE : ϕG
 THICKNESS: T



NOTE : A, D

PART NO.	A	B	D	J	G	T
FCUT-1	45.4	31.8	19.8	7.2	6.5~7	0.8~3