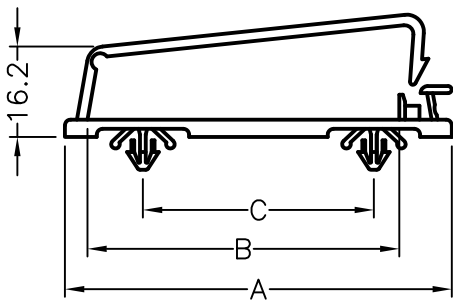


HOLE :  $\phi G$   
 THICKNESS: T



PART NO	A	B	C	D	G	T
FCT-4	67.5	54	40	10	4	2
FCT-4S						0.8~1
FCT-4M						0.8~2

NOTE: A, D