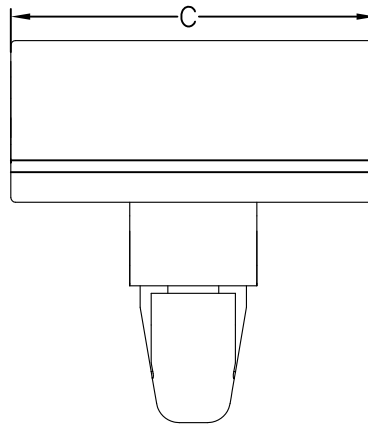
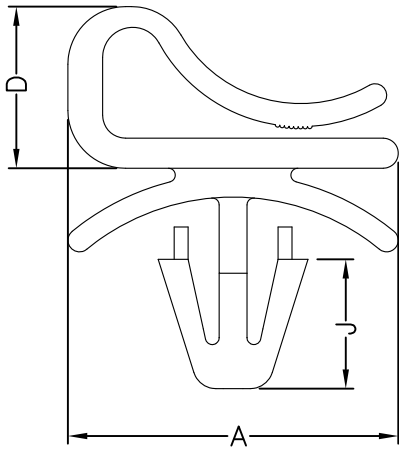


HOLE : ϕG
THICKNESS: T



PART NO.	A	C	D	J	G	T
FCCB-1	14.3	15.8	7	5.6	4.8	0.6~2

NOTE:A, D