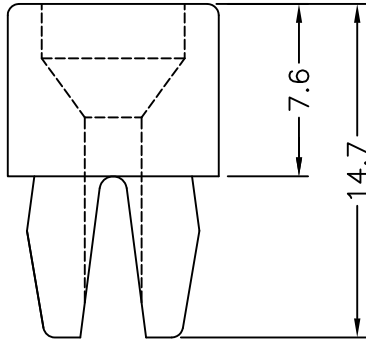


MOUNTING HOLE
THICKNESS 2.4



PART NO.
ESS-7.6