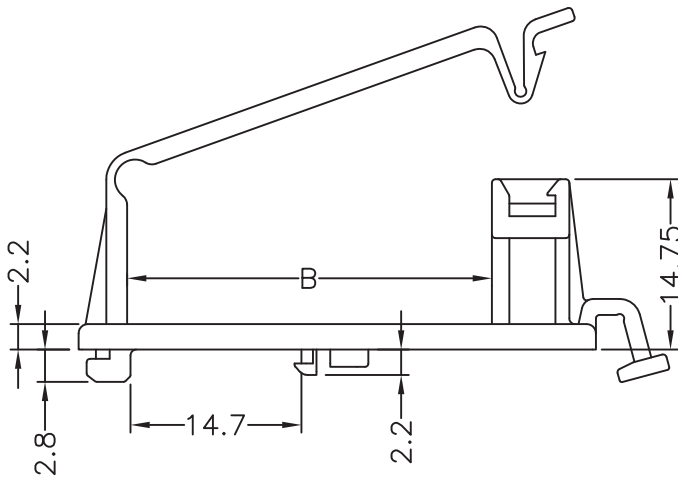


MOUNTING HOLES
THICKNESS: T



PART NO	A	B	D	T
CHWC-1	44.8	31.6	15	0.8

NOTE: A, D