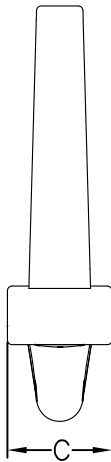
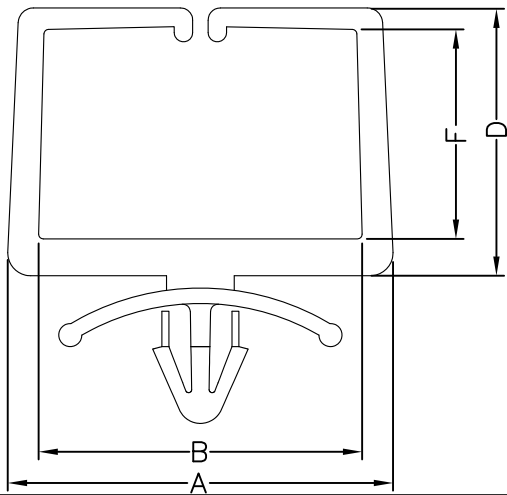


HOLE : ϕG
THICKNESS: T



PART NO.	A	B	C	D	F	G	T
CHE-3	25	21	6.8	17.4	13.6	4.8~5	0.8~2.5

NOTE:A, D