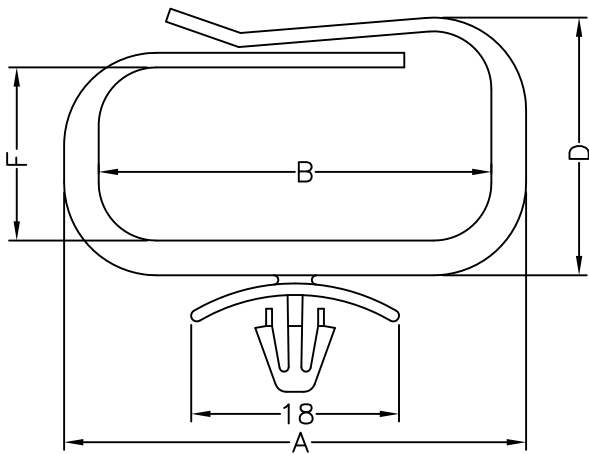


HOLE : ϕG
THICKNESS: T



PART NO.	A	B	C	D	F	G	T
CHD15-34	40	34	7	21.12	15	4.8	0.8~2

NOTE: A, D