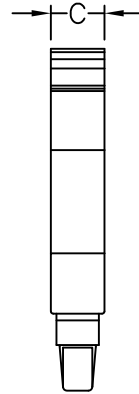
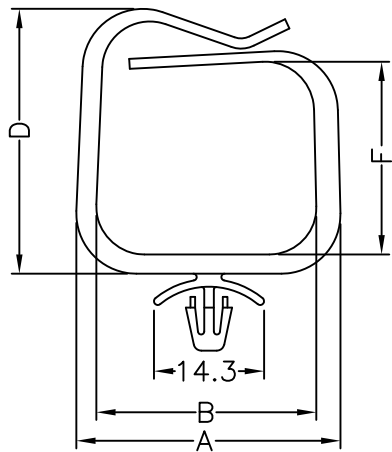


HOLE : ϕG
THICKNESS: T



PART NO.	A	B	C	D	F	G	T
CHD-20	34.3	28.6	6.95	34.4	25	4.8	0.8~2

NOTE: A, D