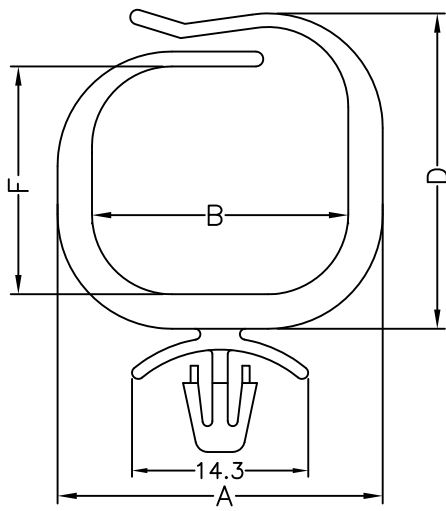


HOLE : ϕG
THICKNESS: T



PART NO.	A	B	C	D	F	G	T
CHD-18	26.4	20.8	6.9	25.9	18.5	4.8~5	0.8~2

NOTE:A, D