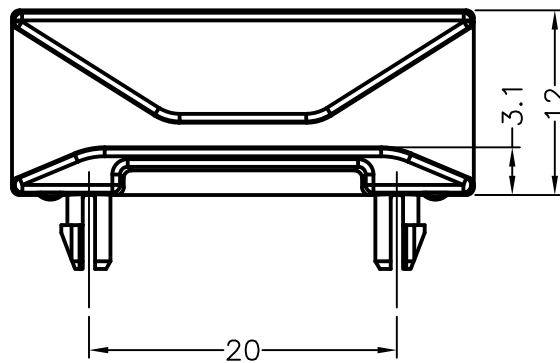
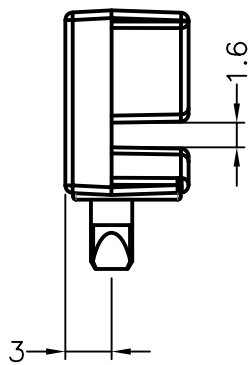
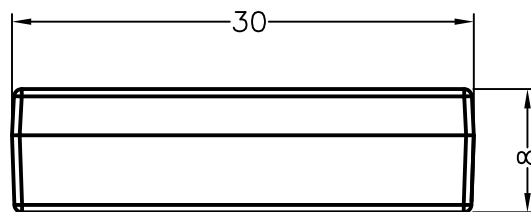


MOUNTING HOLES
CHASSIS THICKNESS 1.6



注意事項:D

所有尺寸量測皆不含進膠口, 膠口凸出0.3mm之內.