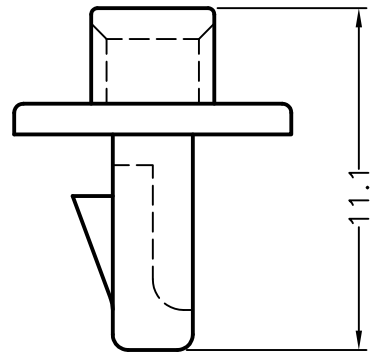
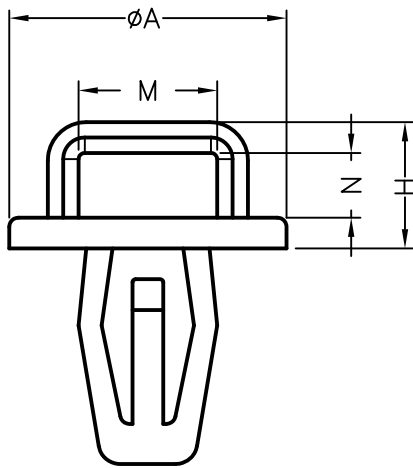


HOLE : ϕG
THICKNESS: T



NOTE:A, D

PART NO.	A	H	G	T	M	N
CCMT-2	9	4.1	4.0	1.6~2.0	4.5	2.1