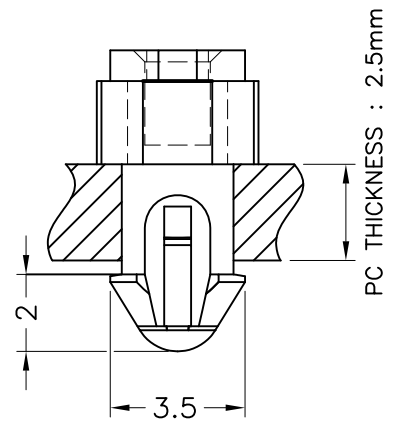
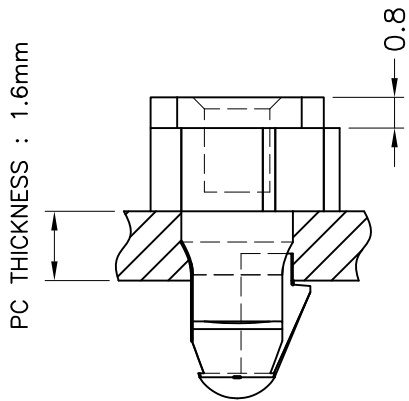


MOUNTING HOLE $\phi 3.0$
Applied for panel thickness 1.6mm or 2.5mm



NOTE:N