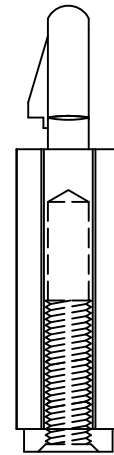
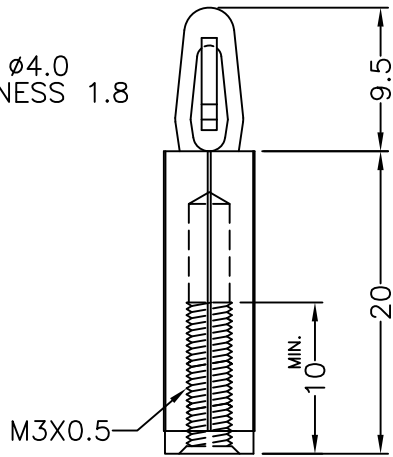


P.C.B  $\phi 4.0$   
THICKNESS 1.8



PART NO.
----------

BSCB-20
---------

NOTE:D