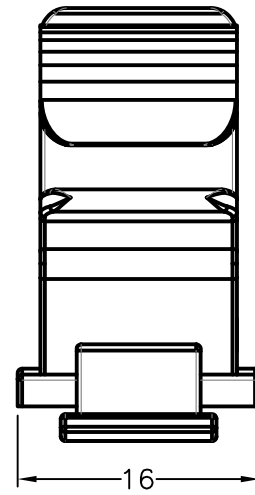
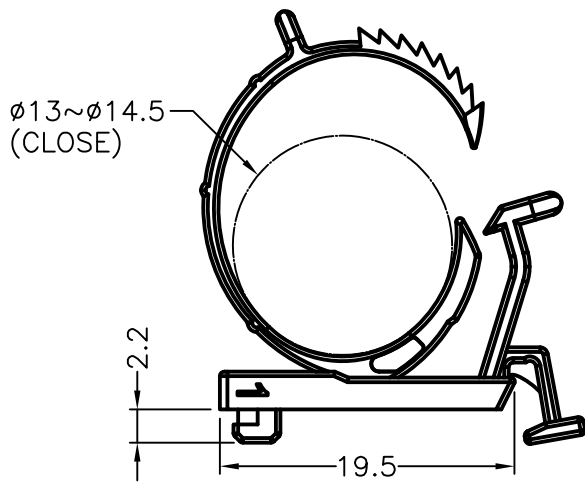


MOUNTING HOLES



NOTE: A, D