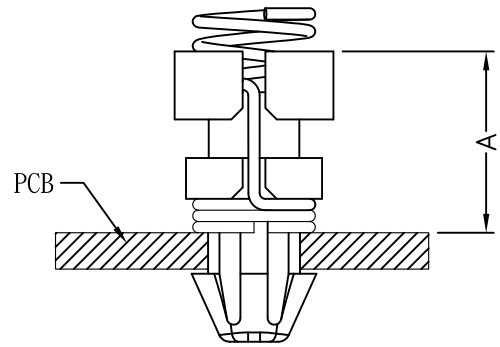


P.C.B  $\phi 4.0$   
THICKNESS 0.8~1.6



INSTALLATION DIAGRAM

PART NO.	A	B
ALUCA-8		
ALUCA-9		
ALUCA-10		
ALUCA-12		
ALUCA-14		
ALUCA-16		

NOTE:D